

DESCRIPTION

- Multilingual calendar, SMD LED technology for indoor installation.
- Hours, minutes, seconds, date, day and week display.
- Ability to alternately display the month and the day of the week in 2 languages.
- Height of digits (first line) 10 cm (seconds: 7 cm) and height of letters (second line) 7 cm, optimal viewing distance: 40 metres.
- Angle of vision: 120°.
- LED colours: red, green, yellow, blue and white.
- Models: independent, impulse, wireless ALS, wireless DCF, wireless DHF, AFNOR, NTP/ETH and NTP/Wi-Fi.



STANDARDS

- CEM : EN55032 (2012), EN55024 (2010).
- LVD : EN62368-1, EN62311 (2008).
- RED (radio models) : EN330-2 (V2.1.1).
- EEE 802.11 b/g (NTP/Wi-Fi model)

GENERAL FEATURES

- **Adjustable brightness**..... 4 levels.
- **Display mode**..... 12 or 24 hour.
- **Eco mode**..... Programmable energy saving or predefined over a time period.
- **Time change**..... Automatic summer/winter time changeover and perpetual calendar.
- **Time base backup**.....
 - Independent model: 15 days in case of power failure.
 - Impulse model: in case of power failure, data saving and impulses reception without battery.
 - Synchronised models: at each start the clocks wait for the synchronisation signal.
- **Time accuracy**..... 0.2 second/day (except NTP model: precision dependent on the time server).
- **Operation**..... Silent.
- **Digit**..... 7 segments with 5 LEDs each.
- **Hours and minutes separating**..... Colon made of LEDs.
- **Configuration**..... 2 buttons.
- **NTP/ETH and NTP/wifi models**.....
 - Synchronisation unicast, multicast and by DHCP.
 - Advanced configuration from the embedded web server.

MECHANICAL FEATURES

- **Construction**..... ABS/PMMA black (IP30, IK02) and PPMA Poly (methyl methacrylate) cristal.
- **Operating temperature range**..... -5 to +55°C.
- **Weight**..... 4 Kg.
- **Dimensions**..... See on the back.

ELECTRICAL FEATURES

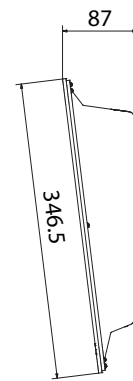
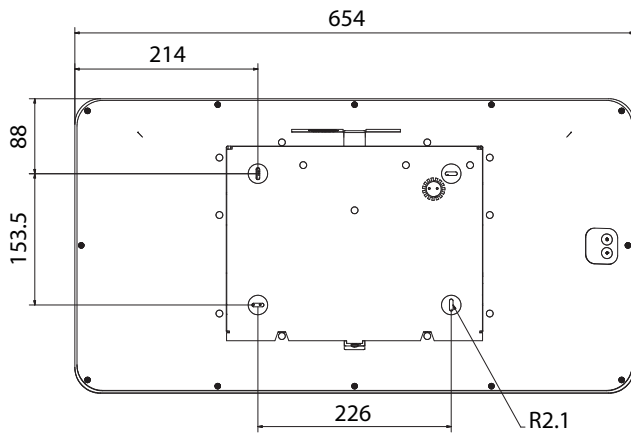
- **Power supply**.....
 - Independent, impulse, AFNOR, wireless DHF and NTP/Wi-Fi models: 100-240VAC.
 - Wireless ALS, DCF models: 100-240VAC.
 - NTP/ETH model: PoE (Power over Ethernet) – class 0.
- **Consumption (max)**.....
 - Ind, imp, AFNOR, et DHF: 100-240 VAC ; 350-200 mA.
 - Radio ALS and DCF: 100-240 VAC ; 350-250 mA
 - NTP/ETH receiver: 10 W (red, green, yellow) ; 3 W (blue, white) .
- **Electric protection**.....
 - NTP/ETH model: Class 3.
 - Other Synchronisations: Class 2.

STYLE 10 SD REFERENCES (BY SYNCHRONISATION)

- | | |
|--|---|
| • 946 A1x Independent model | • 946 A7x NTP/ETH model |
| • 946 A2x Impulse model | • 946 A8x NTP/Wi-Fi model |
| • 946 AFx ALS model | • 946 007 Double sided hanging bracket |
| • 946 ADx DCF model | • 946 008 Single sided hanging bracket |
| • 946 A4x DHF model | |
| • 946 A5x AFNOR model | |
- Specify the LED colour by replacing the "x" in the reference number by: 1: red - 2: green - 3: yellow - 4: blue - 5: white



WALL MOUNTING



Dimensions in mm

MOUNTING ON HANGING BRACKET

- The hanging bracket makes possible to hang the clock from the ceiling or from the wall.
- Construction: Steel.
- Colour: Black.

Dimensions in mm

